

Hisa Engineering Ltd

396 Hillington Road, Glasgow, G52 4BL

www.hisauk.com EM: enquiries@hisauk.com Tel: 0141 530 2010

DHW water tank (double tank)



ST-260-D

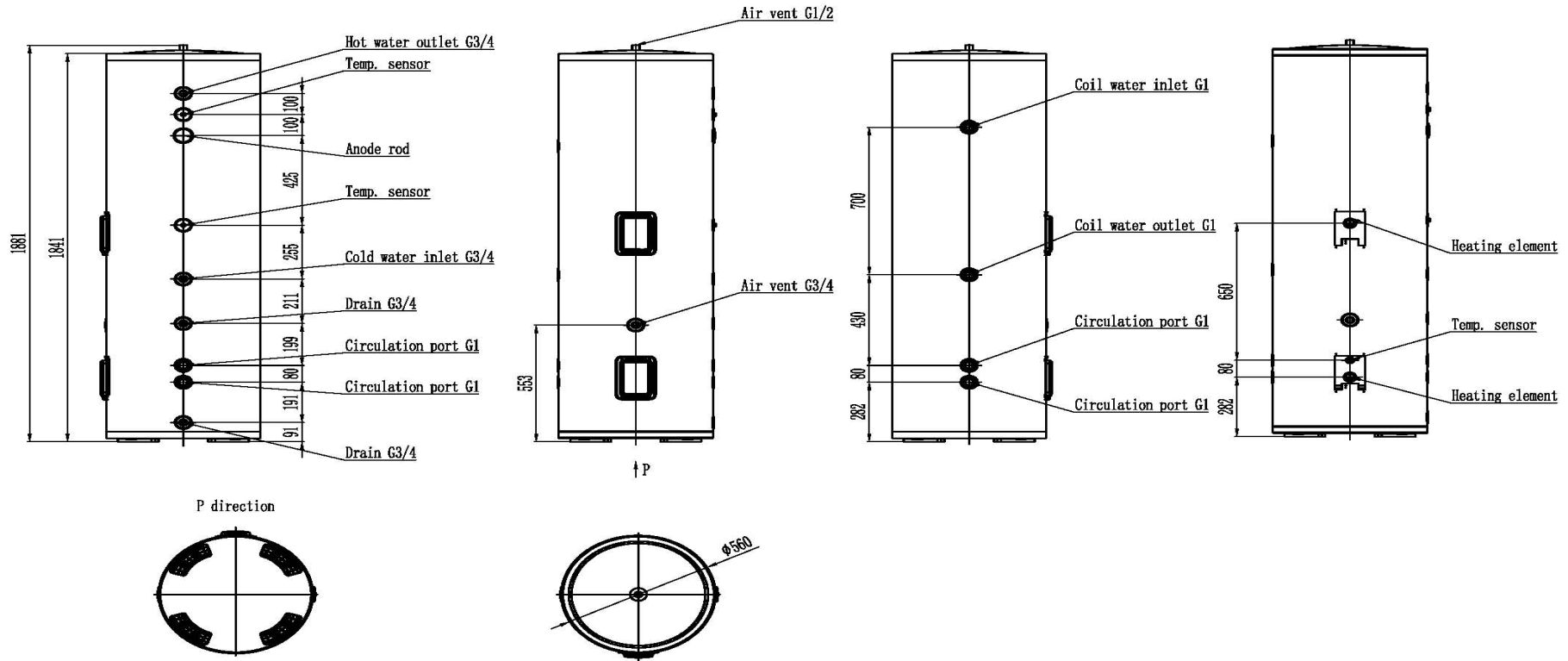
No.	Items	Unit	
			ST-260-D
1	DHW Water tank volume	L	200L
2	Buffer tank volume	L	60L
3	Inner tank Diameter	mm	φ470
4	Inner tank Material and thickness	/mm	Duplex stainless steel SAF2205/ 1.2mm
5	Outer tank diameter	mm	φ560
6	Outer tank material	/mm	Color painted steel / 0.45mm
7	Water tank height	mm	1881
8	Package size	mm	640*640*1981
9	Water Inlet / outlet size	inch	Female G-3/4
10	Coil inlet / outlet size	inch	Female G1
11	Temp. sensor blind pipe connection size	inch	Female G-1/2
12	Heating element connection size	inch	Female G1
13	Heating element in DHW	KW	2KW
14	Heating element in Buffer tank	KW	2KW
15	Air vent	inch	Female G-1/2
16	Drain connection size	inch	Female G-3/4
17	Thermostat	/	With
18	Heat exchanger(Coil) in DHW tank	/	SUS316-L
19	Coil Size in DHW tank	mm	dia. 28mm, length 20m, approx heat transfer area 2.2m2
20	Max. Working Pressure	bar	6
21	Max. Testing Pressure	bar	10
22	Max. Running Temperature	°C	90

Hisa Engineering Ltd

396 Hillington Road, Glasgow, G52 4BL

www.hisauk.com EM: enquiries@hisauk.com Tel: 0141 530 2010

DHW water tank (double tank)

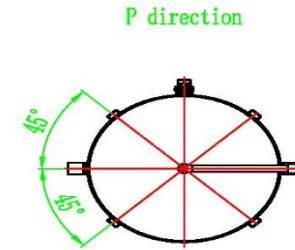
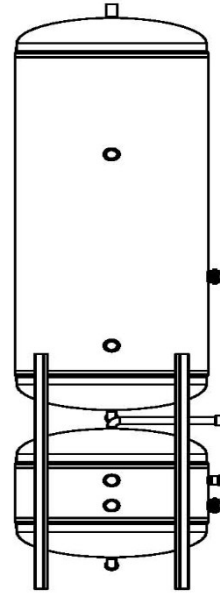
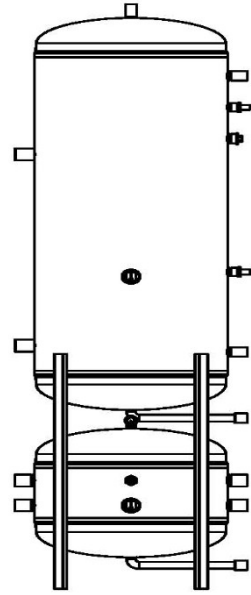
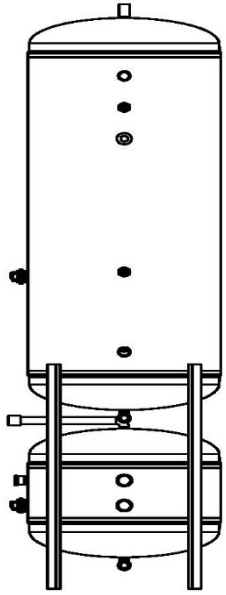


Hisa Engineering Ltd

396 Hillington Road, Glasgow, G52 4BL

www.hisauk.com EM: enquiries@hisauk.com Tel: 0141 530 2010

DHW water tank (double tank)



P direction

Hisa Engineering Ltd

396 Hillington Road, Glasgow, G52 4BL

www.hisauk.com EM: enquiries@hisauk.com Tel: 0141 530 2010

DHW water tank (double tank)

